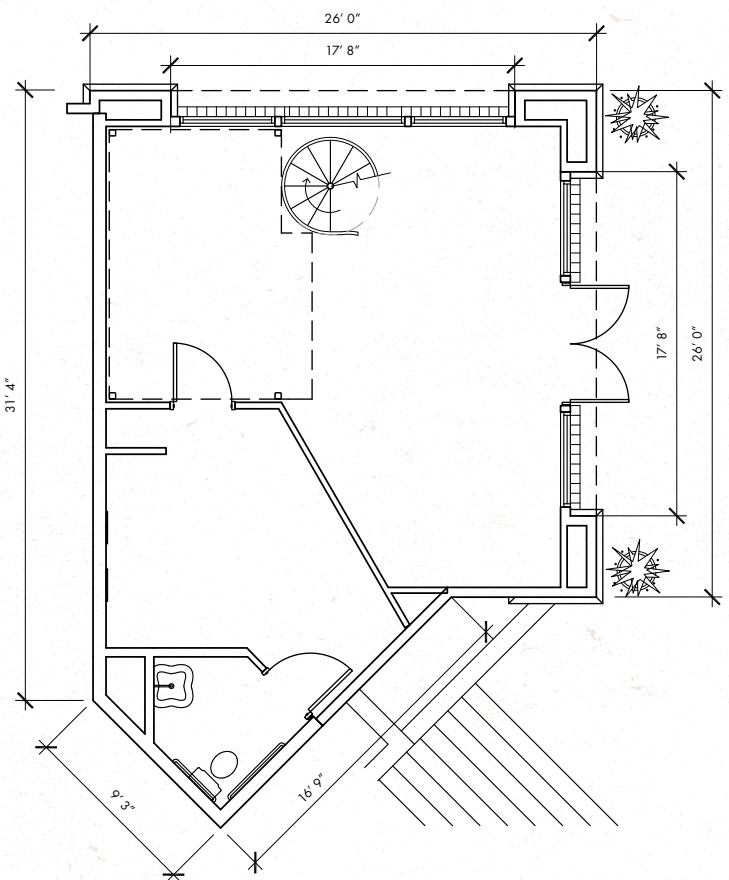
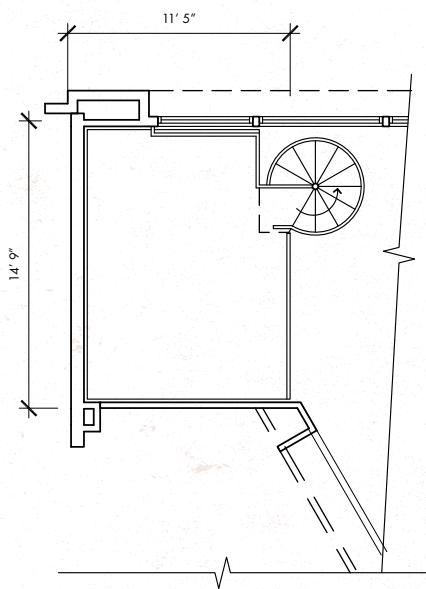




# Court Street

1003 Osos Street 780 sf



**1003 Osos Street** sits adjacent to the city and county government seat and is in the core of the city's finest retail, restaurants, museums and the growing tech hub of the central coast. Brands within a block are **Pottery Barn**, **Sephora**, **LUSH**, **Banana Republic**, **Lululemon**, **MAC Cosmetics**, **Marine Layer** and **H&M** and in fall of 2018 – **Hotel SLO**, a 5-star boutique hotel. **Available Now.**



FOR LEASING INFORMATION CONTACT:

**Therese Cron**, West Coast JT Realty, [Therese.Cron@JamestownLP.com](mailto:Therese.Cron@JamestownLP.com), 805.785.0511

The  
**San Luis Obispo**  
COLLECTION



# Court Street

## Tenants

- Abercrombie & Fitch
- Banana Republic
- Chicos
- Lush Cosmetics
- Open Air Flowers
- Pottery Barn
- Sephora
- SLO Sweets
- White House Black Market

